

APPLICATION:

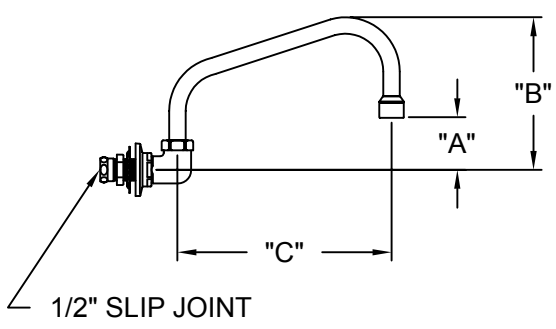
JOB NAME:

QUANTITY:                      ITEM NO.

PRODUCT NAME:

SINGLE BACKSPLASH BASE

SPECIAL CONFIGURATION  
 CHECK BASE MODEL AND OPTIONS



- MODEL:
- 3910 W/ 6" SWING SPOUT
  - 3911 W/ 8" SWING SPOUT
  - 3912 W/ 10" SWING SPOUT
  - 3913 W/ 12" SWING SPOUT
  - 3914 W/ 14" SWING SPOUT
  - 1813 W/ 16" SWING SPOUT

- OPTIONS OR MODIFICATIONS:
- SUPPLY LINES (24" OR 36") CIRCLE LENGTH
  - DJ SUB-ASSY (7-1/4" OR 13") CIRCLE LENGTH
  - ELBOWS
  - VANDAL RESISTANT KIT
  - OTHER \_\_\_\_\_

MODEL	DIM "A"	DIM "B"	DIM "C"
3910	2" [50.8mm]	5-3/4" [146.1mm]	6" [152.4mm]
3911	2-1/4" [57.2mm]	6-1/4" [158.8mm]	8" [203.2mm]
3912	2-7/8" [73.0mm]	6-3/4" [171.5mm]	10" [254.0mm]
3913	3-1/2" [88.9mm]	7-1/8" [181.0mm]	12" [304.8mm]
3914	4-1/4" [108.0mm]	8-1/8" [206.4mm]	14" [355.6mm]
1813	4-7/8" [123.8mm]	8-3/4" [222.3mm]	16" [406.4mm]

FEATURES:

- \* SINGLE BACKSPLASH BASE
- \* SWING SPOUT
- \* 1/2" SLIP JOINT

SYSTEM LIMITS

- \* TEMP: 40°F MIN. TO 140°F MAX.
- \* PRESSURE 200 PSI MAX. STATIC
- \* 2.20 GPM AT 80 PSI

SHIPPING WEIGHT

- \* 2.0 LBS

ROUGH-IN:

